

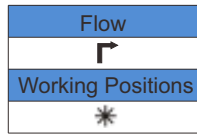
# MODEL : GBV-203 [ Angle Globe Valve ]

Connection : Flange PN 16 | PN 40



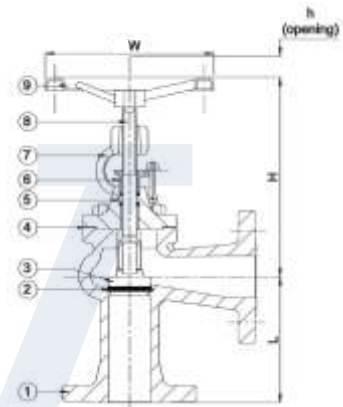
VTV VALVE, serving Multi-National end users in a wide range of applications in many industries including:

1. Palm Oil and Refinery Plant
2. Petrochemical
3. Food Industries
4. Heating
5. Cooling System



## DESCRIPTION

Design	: DIN 3356
Face to face	: DIN 3202
Flanges	: DIN 2501 DIN 2547 DIN 2526 FORM E BW TO DIN 3239
Testing	: DIN 3352 DIN 3230
Rating	: DIN 2401
Suitable Medium	: W.O.G



## MATERIAL LIST

No.	Parts	PN 16 Rating	PN 40 Rating
1	*Body	Cast Iron EN-GJL-250	Cast Steel GP240GH
2	*Seat Ring	Stainless Steel X20Cr13	Stainless Steel X20Cr13
3	Disc	Stainless Steel X20Cr13	Stainless Steel X20Cr13
4	Gasket	Graphite - CrNiSt	Graphite - CrNiSt
5	Gland Packing	Graphite	Graphite
6	*Gland	Cast Iron EN-GJL-250	Forged Steel C 22.8
7	*Bonnet	Cast Iron EN-GLC-250	Cast Steel GP240GH
8	*Stem	Stainless Steel X20Cr13	Stainless Steel X20Cr13
9	Handwheel	Cast Iron EN-GJL-250	Cast Steel GP240GH

\*Optional : SS304 | SS316

## DIMENSIONS (mm)

DN	L	H		h (Opening)	W		Weight (Kg)	
		PN16	PN40		PN16	PN40	PN16	PN40
15	90	163	170	5	100	120	3.1	4.1
20	95	160	170	5	100	120	3.5	4.7
25	100	173	170	8	120	120	4.8	4.9
32	105	173	240	9	120	160	6.6	10.6
40	115	214	250	12	160	160	8.7	13.6
50	125	211	265	13	160	160	11.8	16
65	145	236	290	16	180	250	14	28
80	155	250	320	20	200	250	20.5	37
100	175	301	350	25	250	320	32.2	48
125	200	339	390	32	250	320	46	59.2
150	225	383	440	38	320	320	62	75.5
200	275	455	515	50	360	400	106	153

Specification is subject to change without prior notice