

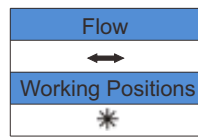
MODEL : BV-203 [Two Piece Body Ball Valve Full Port]



Connection : PN 16, PN 40

VTV VALVE, serving Multi-National end users in a wide range of applications in many industries including:

1. Palm Oil and Refinery Plant
2. Water
3. Sewerage Industries



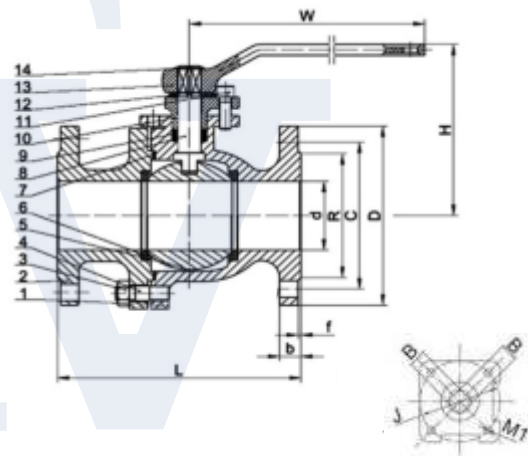
- ◆ **Suitable for :**
1. Water
 2. Oil
 3. Gases

◆ **FEATURES**

1. DIN PN16-40
2. Full Port
3. Investment Casting
4. Blow-out proof Stem
5. Locking Device Handle (option)
6. PED97/23/PE (CE0035) Approved
7. Anti Static device (option)
8. Design: DIN3357, EN12516
9. End Flange: DIN2501, PN10-40
10. Face to Face: DIN3202-F4
11. Inspection Testing: DIN3230/3, EN12266

◆ **MATERIAL LIST**

No.	Part Name	Material			
1	Body	ASTM A216-WCB	**FC200	SS304	SS316
2	Bonnet	ASTM A216-WCB	FC200	SS304	SS316
3	Nut	CS	CS	SS304	SS316
4	Bolt	CS	CS	SS304	SS316
5	Ball	SS304	SS304	SS304	SS316
6	*Seat	PTFE	PTFE	PTFE	PTFE
7	Gasket	PTFE	PTFE	PTFE	PTFE
8	Stem	SS304	SS304	SS304	SS316
9	Stem Packing	PTFE	PTFE	PTFE	PTFE
10	Gland Flange	ASTM A216-WCB	FC200	SS304	SS316
11	Gland Bolt	ASTM A216-WCB	FC200	SS304	SS316
12	Stop Collar	ASTM A216-WCB	FC200	SS304	SS316
13	Lever	FC200	FC200	FC400	FC400
14	Circlip	CS	CS	WCB	SS316



- *OPTION :
1. PEEK
 2. 15% Glass PTFE
 3. 25% Carbon Full PTF
 4. TFM 1600

**Please Consult with manufacture for application

◆ **DIMENSIONS (mm)**

SIZE	d	B	H	W	L	R	C	D	b	f	J	M1	Weight (Kg)	Bolt Number
1/2"	15	11	80	160	115	45	65	95	16	2	42	M5	2.1	4
3/4"	20	11	90	160	120	58	75	105	18	2	42	M5	3.06	4
1"	25	14	95	160	125	68	85	115	18	2	50	M6	4.2	4
1-1/4"	32	14	105	160	130	78	100	140	18	2	50	M6	5.16	4
1-1/2"	38	17	110	220	140	88	110	150	18	3	70	M8	8.04	4
2"	50	17	118	220	150	102	125	165	18	3	70	M8	10.16	4
2-1/2"	65	17	136	220	170	122	145	185	18	3	70	M8	16.8	6
3"	76	22	158	320	180	138	160	200	20	3	102	M10	22.8	6
4"	94	22	178	320	190	158	180	220	20	3	102	M10	36.29	8

Specification is subject to change without prior notice