

MODEL : BV-301 [Three Piece Body Ball Valve Full Port]

Connection : Butt Weld, Socket Weld, Screw BSP | NPT



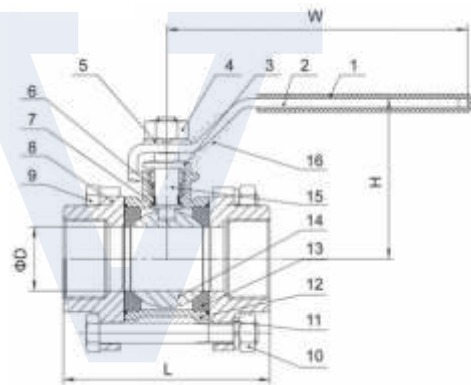
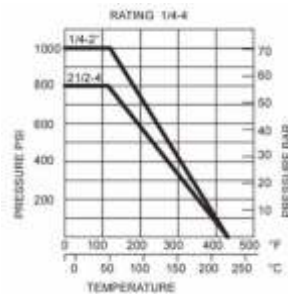
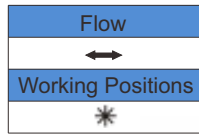
VTV VALVE, serving Multi-National end users in a wide range of applications in many industries including:

1. Palm Oil and Refinery Plant
2. Food Industries
3. Rubber Glove Industries
4. Petrochemical Plant
5. Building Services

- ◆ **Suitable for :**
1. Water
 2. Oil
 3. Gases

◆ FEATURES

1. 1000PSI/PN63
2. Full Port
3. Investment Casting
4. Blow-out proof Stem
5. Locking Device Handle (option)
6. PED97/23/PE (CE0035) Approved
7. Anti-Static device (option)
8. Thread: ASME B1.20.1, BS21.DIN2999/259, ISO228-1, JIS B 0203, ISO7/1
9. Inspection Testing: API598, EN12266



◆ MATERIAL LIST

ITEM	DESIGNATION	QTY	MATERIAL
1	HANDLE SLEEVE	1	PVC
2	HANDLE	1	304
3	GLAND NUT	1	304/316
4	STEM NUT	1	304
5	STEM WASHER	1	304
6	STEM PACKING	1	PTFE
7	THRUST WASHER	1	PTFE
8	END CAP	2	CF8/CF8M
9	BOLT	4(6)	304
10	NUT	4(6)	304
11	SPRING WASHER	4(6)	304
12	BODY	1	CF8/CF8M
13	BALL SEAT	2	RPTFE
14	BALL	1	CF8/CF8M
15	STEM	1	304/316
16	LOCKING DEVICE	1	304

◆ DIMENSIONS (mm)

SIZE	D	L	H	W
1/4"	11	50	48	103
3/8"	12	50	48	103
1/2"	15	60	52	103
3/4"	20	70	61	123
1"	25	80	65	123
1-1/4"	32	93	79	153
1-1/2"	38	100	83	153
2"	50	125	97	185
2-1/2"	64	158	135	243
3"	76	179	144	243
4"	94	223	172	315

Specification is subject to change without prior notice