

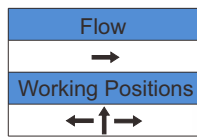
MODEL : SC-209 [Flange Swing Check Valve]

Connection : Flange JIS 10K, PN 16 | 40



VTV VALVE, serving Multi-National end users in a wide range of applications in many industries including:

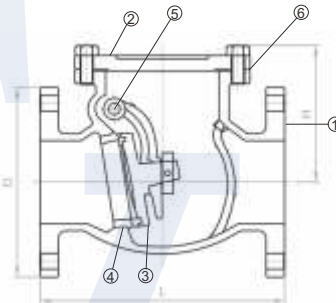
1. Palm Oil and Refinery Plant
2. Food Industries
3. Petrochemical Plant
4. Cooling System
5. Fire Protection System
6. Power Plant
7. Water Treatment Plant



- ◆ **Suitable for :** 1. Water
2. Oil

◆ SPECIFICATION

Valve Design : DIN 3840
 Face to face : DIN 3202
 Flanges : DIN 2501
 DIN 2547
 DIN 2526 FORM E
 BW TO DIN 3239
 Testing : DIN 3352 Part 1
 DIN 3230 Part 3



◆ PRESSURE / TEMPERATURE RATING

JIS 10K : 10 bar - 120°C | 7 bar - 200°C | 5 bar - 300°C
 PN 16 : 16 bar - 120°C | 13 bar - 200°C | 10 bar - 300°C
 PN 40 : 36 bar - 120°C | 33 bar - 200°C | 27 bar - 300°C

◆ MATERIAL LIST

ITEM	PART NAME	MATERIAL			
1	BODY	FC200	GS-C-25	SS304	SS316
2	COVER	FC200	GS-C-25	SS304	SS316
3	DISC	SS410	WCB + 13%CR	SS304	SS316
4	SEAT RING	SS410	A105 + 13%CR	SS304	SS316
5	HINGE	DUCTILE	WCB	SS304	SS316
6	GASKET	GRAPHITE	GRAPHITE	GRAPHITE	GRAPHITE

◆ DIMENSIONS (mm)

DN	40	50	65	80	100	125	150	200	250	300
	1-1/2"	2"	2-1/2"	3"	4"	5"	6"	8"	10"	12"
L	190	203	220	240	292	330	356	495	622	698
H	100	105	115	140	155	170	203	246	283	330
D	140	155	175	185	210	250	280	330	400	445
Weight (Kg)	17	17.6	20.5	28	45	60	77	128	199	308

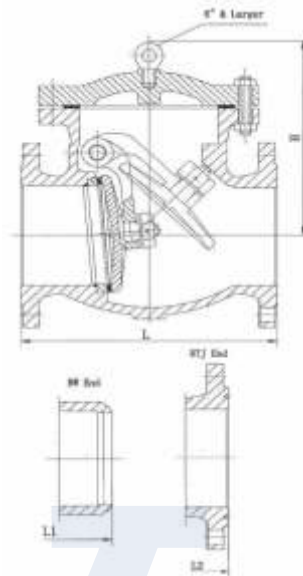
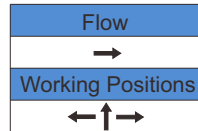
Specification is subject to change without prior notice

MODEL : SC-209 [Flange Swing Check Valve]

Connection : ANSI 150



- ◆ Suitable for : 1. Water
- 2. Oil
- 3. Gases



◆ SPECIFICATION

Rating P-T : ASME B16.34
 Design : API 600 Trims
 Face to face : ASME B16.1
 Testing : API 598
 Flange Connection : ASME B16.5

◆ MATERIAL LIST

Parts	Materials
Body	ASTM A216-WCB
Cover	ASTM A216-WCB ASTM A105 (4" & smaller)
Disc	ASTM A216-WCB+Cr13 Overlay ASTM A217-CA15(12" & smaller)
Hinge	ASTM A216-WCB
Seat ring	ASTM A105+STL Overlay
Hinge pin	ASTM A276-420
Washer	ASTM A276-420
Gasket	Reinforced graphite
Plug	Carbon steel
Cover stud/nut	ASTM A193-B7/ASTM A194-2H
Disc nut	ASTM A276-420
Split pin	ASTM A276-420
Hook screw	Carbon steel

◆ DIMENSIONS (mm) and WEIGHTS (Kg)

NPS	in	2	2-1/2	3	4	5	6	8	10	12	14	16	18	20	24	26	28	30
DN	mm	50	65	80	100	125	150	200	250	300	350	400	450	500	600	650	700	750
L	in	8	8.5	9.5	11.5	13	14	19.5	24.5	27.5	31	34	38.5	38.5	51	51	57	60
(RF)	mm	203	216	241	292	330	356	495	622	699	787	864	978	978	1295	1295	1448	1524
L1	in	8.5	9	10	12	13.5	14.5	20	25	28	31.5	34.5	39	39	51.5	-	-	-
(BW)	mm	216	229	254	305	343	368	508	635	711	800	876	991	991	1308	-	-	-
L2	in	7.5	8	8.5	9.5	10.5	11	12	13.5	14.5	15.5	16.5	17.5	18.5	20.5	-	-	-
(RTJ)	mm	191	203	216	241	267	279	305	343	368	394	419	445	470	521	-	-	-
H	in	5.9	6.6	6.7	8	9.1	11.7	13.8	15.3	17.2	18.8	20.7	22.9	24.7	34.6	35.8	36.8	38.2
(Open)	mm	150.5	168	171	204	230	296.5	351.5	389.5	437.5	476.5	525	582	627	880	910	935	970
WT	RF	14	20	25	40	56	71	118	177	263	353	542	632	855	970	1276	1600	1990
(Kg)	BW	10	12	17	29	45	57	96	143	227	294	468	552	755	831	1120	1420	1760

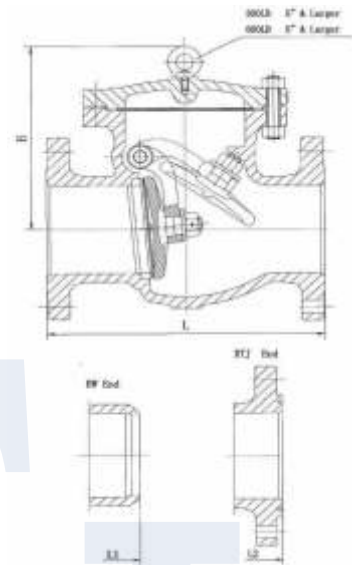
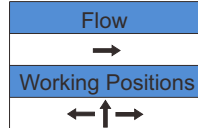
Specification is subject to change without prior notice

MODEL : SC-209 [Flange Swing Check Valve]

Connection : ANSI 300 | 600



- ◆ Suitable for : 1. Water
2. Oil
3. Gases



◆ SPECIFICATION

Rating P-T : ASME B16.34
 Design : API 600 Trims
 Face to face : ASME B16.1
 Testing : API 598
 Flange Connection : ASME B16.5

◆ MATERIAL LIST

Parts	Materials
Body	ASTM A216-WCB
Cover	ASTM A216-WCB ASTM A105 (4" & smaller)
Disc	ASTM A216-WCB+Cr13 Overlay ASTM A217-CA15(10" & smaller)
Hinge	ASTM A216-WCB
Seat ring	ASTM A105+STL. Overlay
Hinge pin	ASTM A276-420
Washer	ASTM A276-420
Gasket	Spiral wound graphite
Plug	Carbon steel
Cover stud/nut	ASTM A193-B7/ASTM A194-2H
Disc nut	ASTM A276-420
Split pin	ASTM A276-420
Hook screw	Carbon steel

◆ DIMENSIONS (mm) and WEIGHTS (Kg)

300#	NPS	in	2	2-1/2	3	4	5	6	8	10	12	14	16	18	20	24	26	28	30
	DN	mm	50	65	80	100	125	150	200	250	300	350	400	450	500	600	650	700	750
(RF-BW)	L-L1	in	10.5	11.5	12.5	14	15.75	17.5	21	24.5	28	33	34	38.5	40	53	53	59	62.75
	(RF-BW)	mm	267	292	318	356	400	445	533	622	711	838	864	978	1016	1346	1346	1499	1594
(RF)	L2	in	11.12	12.12	13.12	14.62	16.37	18.12	21.62	25.12	28.62	33.62	34.62	39.12	40.75	53.88	54	60	63.75
	(RF)	mm	283	308	333	371	416	460	549	638	727	854	879	994	1035	1369	1372	1524	1619
(Open)	H	in	6.9	7.3	8.5	10.2	12	12.5	15	17.1	20.1	22.1	23.5	26.6	28.7	33.9	36.6	45.8	50
	(Open)	mm	176	185	216	259	304	317	380	434	511	561	596	675	730	860	930	1163	1270
(Kg)	WT	RF	20	30	38	64	84	115	191	310	450	644	840	1025	1320	1931	2375	2660	3230
	(Kg)	BW	16	22	30	53	73	101	169	276	414	585	766	945	1220	1792	1995	2260	2780

600#	NPS	in	2	2-1/2	3	4	5	6	8	10	12	14	16	18	20	24	26	28	30
	DN	mm	50	65	80	100	125	150	200	250	300	350	400	450	500	600	650	700	750
(RF-BW)	L-L1	in	11.5	13	14	17	20	22	26	31	33	35	39	43	47	55	-	-	-
	(RF-BW)	mm	292	330	356	432	508	559	660	787	838	889	991	1092	1194	1397	-	-	-
(RF)	L2	in	11.62	13.12	14.12	17.12	20.12	22.12	26.12	31.12	33.12	35.12	39.12	43.12	47.25	55.38	-	-	-
	(RF)	mm	295	333	359	435	511	562	663	790	841	892	994	1095	1200	1407	-	-	-
(Open)	H	in	7.2	8.3	9.1	10.4	11.6	14.7	16.8	20.4	22.4	24.5	26.8	29.6	38.4	43.7	-	-	-
	(Open)	mm	184	210	232	263	295	374	426	517	569	622	680	752	975	1111	-	-	-
(Kg)	WT	RF	28	45	56	93	160	202	339	513	750	885	1220	1620	2120	3100	-	-	-
	(Kg)	BW	21	35	42	64	115	145	256	375	589	694	932	1279	1702	2497	-	-	-

Specification is subject to change without prior notice